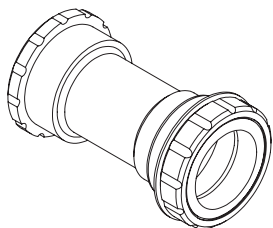




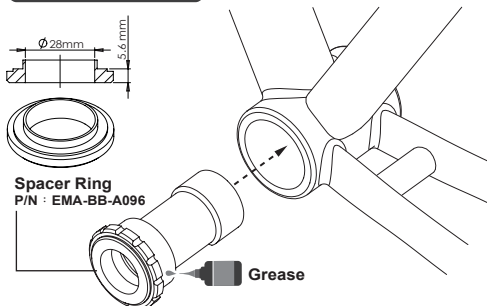
PRAXIS WORKS M30 BB30A TWIST-FIT BB

TRiPEAK Product NO.
EMA-BB30A28-PW★TF12



Step 1 PRESS IN

Non-DRIVE SIDE



Spacer Ring
P/N : EMA-BB-A096

Grease

Bearing Options

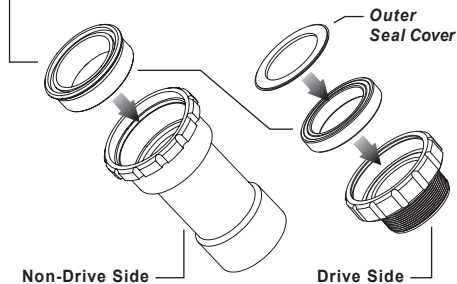
★ SB (Steel Bearing) / ★ CB (Ceramic Bearing)

Bearing Size :

* 30 X 42 X 7mm - (6806) Drive side * (4130) Non-Drive side

Replacement Bearing set for Drive side

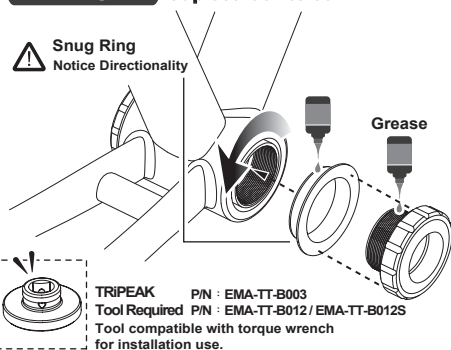
TRiPEAK item NO. SB : EMA-HP6806-2RS / CB : EMA-JC6806-2RS



Step 2 TWIST-LOCK

DRIVE SIDE Cup set lock to 30Nm

⚠ Snug Ring
Notice Directionality

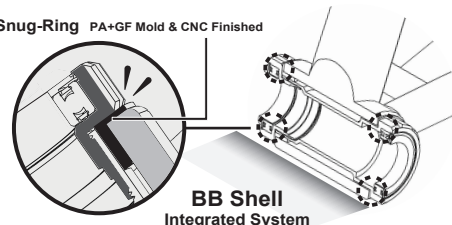


TRiPEAK P/N : EMA-TT-B003
Tool Required P/N : EMA-TT-B012/EMA-TT-B012S
Tool compatible with torque wrench
for installation use.

⚠ NOTICE

- To install TRIPEAK Bottom Bracket, we strongly recommend that you have a trained bicycle mechanic at your local bike shop.
- Do not alter this product in any way as it can cause unseen damage. Any modifications to this product will void the warranty.
- Make sure with the crankset are firmly attached to the bottom bracket. Improperly attached cranks can become detached from the BB set.
- When cleaning the bottom bracket set, only use mild soap and water. Never spray with high-pressure water. It will cause BB cup internal water ingress and influencing the bearing rolling lifetime.
- If you have any questions or concerns about this product Please feel free to contact us. E-mail: info@tripeakbearing.com

Snug-Ring PA+GF Mold & CNC Finished



BB Shell
Integrated System

Installed-Width

