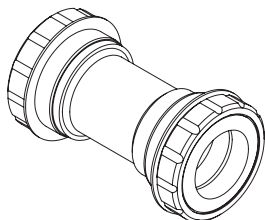




### PRAXIS WORKS M30 BB30 TWIST-FIT BB

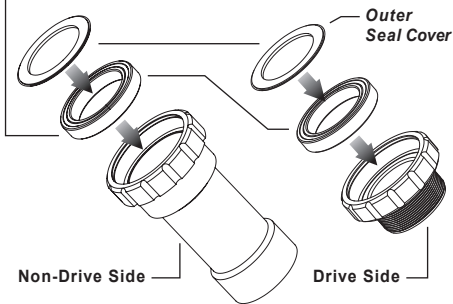
TRiPEAK Product NO.  
EMA-BB3028-PW★TF12



### Bearing Options

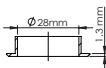
- ★ SB (Steel Bearing) / ★ CB (Ceramic Bearing)
- Bearing Size : 30 X 42 X 7mm - (6806)

Replacement Bearing set  
TRIPEAK item NO. SB : EMA-HP6806-2RS / CB : EMA-JC6806-2RS

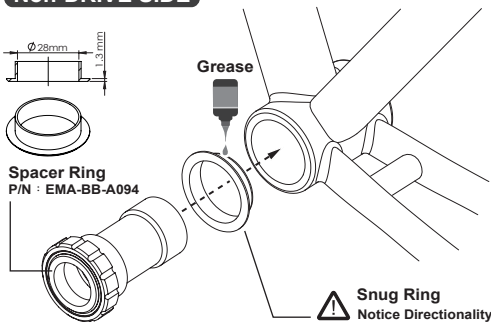


### Step 1 PRESS IN

**Non-DRIVE SIDE**



Spacer Ring  
P/N : EMA-BB-A094

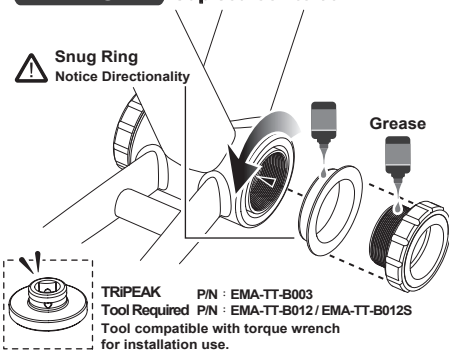


⚠ Snug Ring  
Notice Directionality

### Step 2 TWIST-LOCK

**DRIVE SIDE** Cup set lock to 30Nm

⚠ Snug Ring  
Notice Directionality

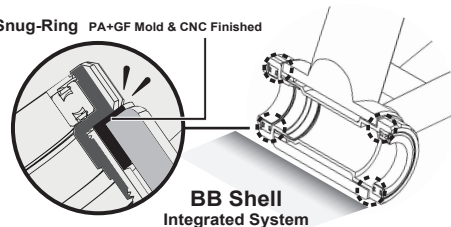


TRIPEAK P/N : EMA-TT-B003  
Tool Required P/N : EMA-TT-B012/EMA-TT-B012S  
Tool compatible with torque wrench  
for installation use.

### ⚠ NOTICE

- To install TRIPEAK Bottom Bracket, we strongly recommend that you have a trained bicycle mechanic at your local bike shop.
- Do not alter this product in any way as it can cause unseen damage. Any modifications to this product will void the warranty.
- Make sure with the crankset are firmly attached to the bottom bracket. Improperly attached cranks can become detached from the BB set.
- When cleaning the bottom bracket set, only use mild soap and water. Never spray with high-pressure water. It will cause BB cup internal water ingress and influencing the bearing rolling lifetime.
- If you have any questions or concerns about this product Please feel free to contact us. E-mail: info@tripeakbearing.com

Snug-Ring PA+GF Mold & CNC Finished



BB Shell  
Integrated System

### Installed-Width

